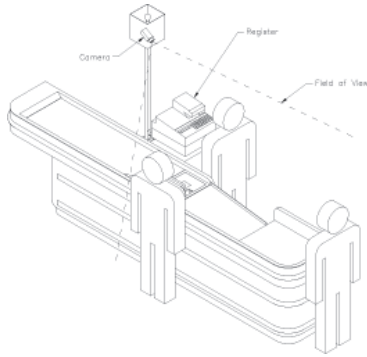


Quick Installation Guide

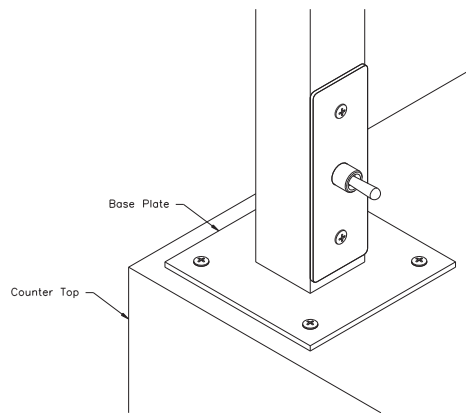
LV104-2812B-42F

1 Determine Camera View



2 Mount LaneVision Pole to Checkstand

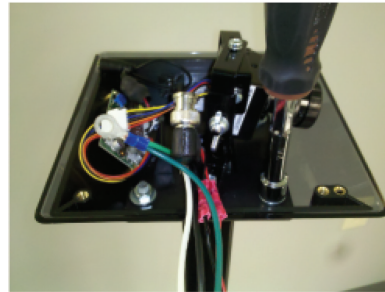
**Mounting Screws Not Included



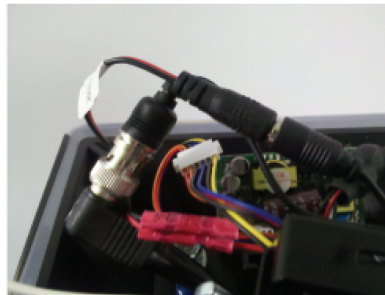
3 Remove screws from enclosure lid and save for reassembly

4 Place tinted cover followed by camera enclosure base on top of pole. **Warning:** Be sure to carefully feed power & video leads through the middle of the tinted cover & base. Align camera so it will face the intended field of view.

5 Secure the enclosure to the pole by fastening a 1/4" washer and hex nut (1/4-20) to the 4 threaded posts.

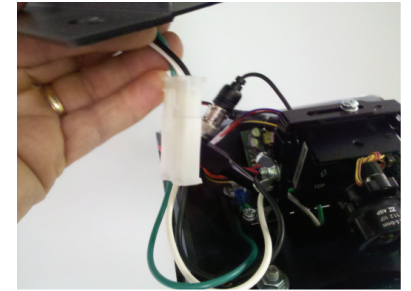


6 Connect BNC cable and power plug.

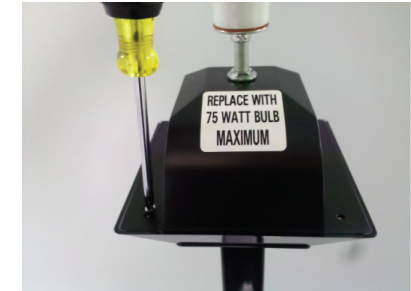


7 Aim and focus camera. Rotate camera housing 1/2 turn to focus.

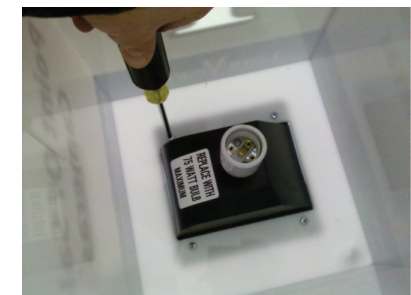
8 Connect lid to enclosure with nylon plugs.



9 Place lid onto enclosure & secure lid to enclosure base with 2 flush mount screws (M4x6mm).



10 Place shade over enclosure and secure with the 4 remaining screws (M4x10mm).



11 Installation Complete!