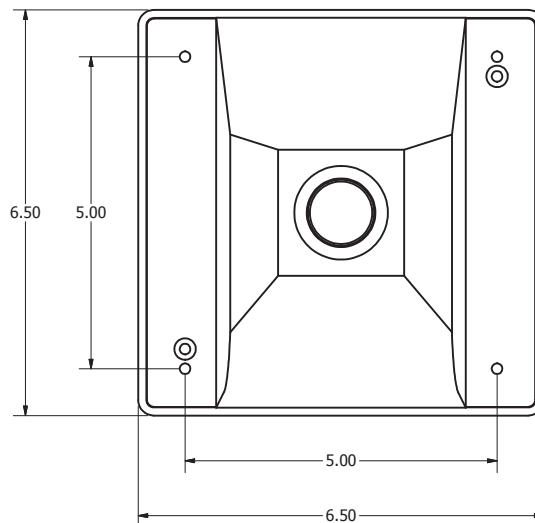
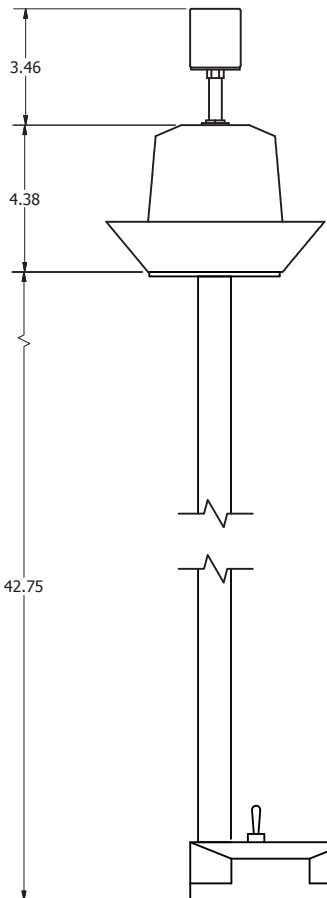


LV104 Enclosure - Top View

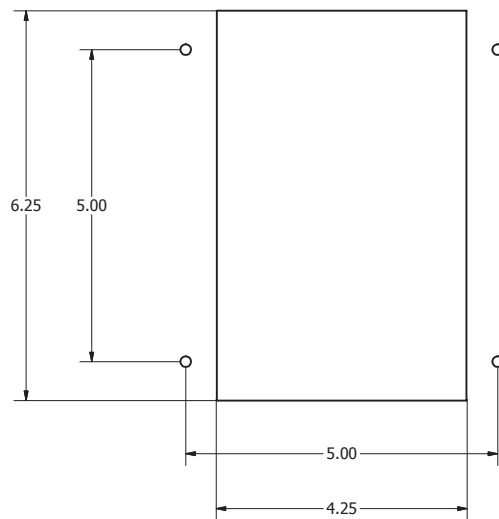


Camera Specifications - Panasonic WV-SF135

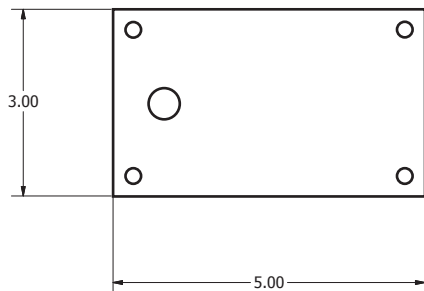
<b>Camera</b>	
Image Sensor	1/3 type MOS image Sensor
Effective Pixels	Approx. 1.3 megapixels
Scanning Mode	Progressive
Scanning Area	4.8 mm (H) x 3.6 mm (V) (3/16" (H) x 5/32" (V))
White Balance	AWC (2,000 ~ 10,000 K), ATW1 (2,700 ~ 6,000 K), ATW2 (2,000 ~ 6,000 K)
Light Control Mode	Indoor scene (50 Hz / 60 Hz) / ELC
ELC	1/30, 3/100, 3/120, 2/100, 2/120, 1/100, 1/120, 1/250, 1/500, 1/1,000, (Maximum exposure time)
Day & Night (Electrical)	1/2,000, 1/4,000, 1/8,000 (WV-SF132), 1/10,000 (WV-SF135)
Digital Noise Reduction	OFF / AUTO
Face Detection	High / Low
Adaptive Black Stretch	ON / OFF (with the XML notification setting)
AGC	ON / OFF
Auto Slow Shutter	ON (LOW, MID, HIGH) / OFF
Video Motion Detection	Off(1/30s), Max. 2/30 s, Max. 4/30s, Max. 6/30s, Max. 10/30s, Max. 16/30s
Privacy Zone	ON / OFF, 4 areas available
	ON / OFF (up to 2 zones available)
<b>Lens</b>	
Focal Length	1.95 mm
Zoom Ratio	1x Extra Zoom:2x (under VGA resolution)
Maximum Aperture Ratio	1 : 2.2
Angular Field of View	Horizontal: 104 °, Vertical: 85 °



Shade Base Template



Base Bottom



Part Number	Weight	<b>DSM</b>
LV104-UP1-42F	5.10 lbs (2.32 kg)	
Description	<p>LV104 Enc, Panasonic WV-SF135 Cam w/42" Pole (1"Round)</p> <p style="text-align: right;"> <a href="http://www.dsmlc.com">http://www.dsmlc.com</a>                      © 2013 Digital Site Management, L.L.C.                 </p>	