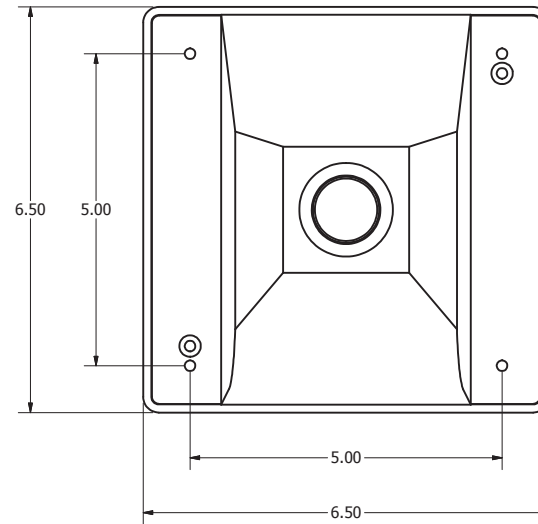
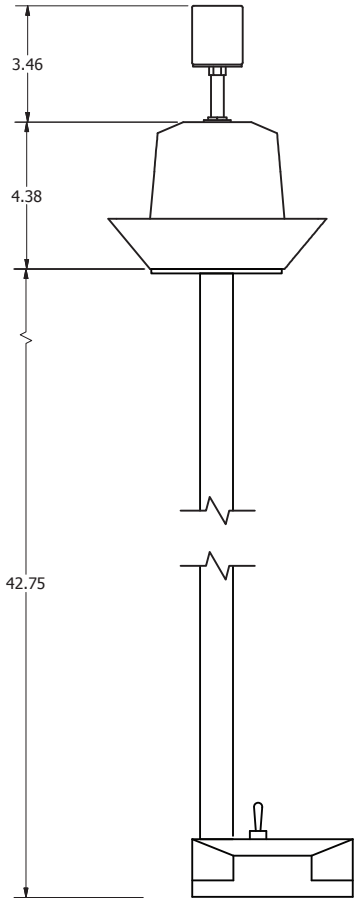


LV104 Enclosure - Top View

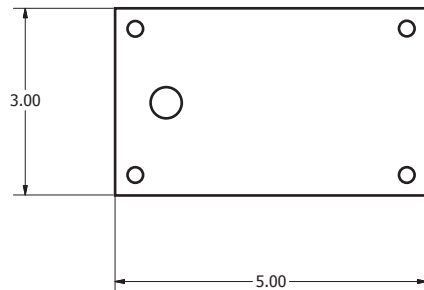
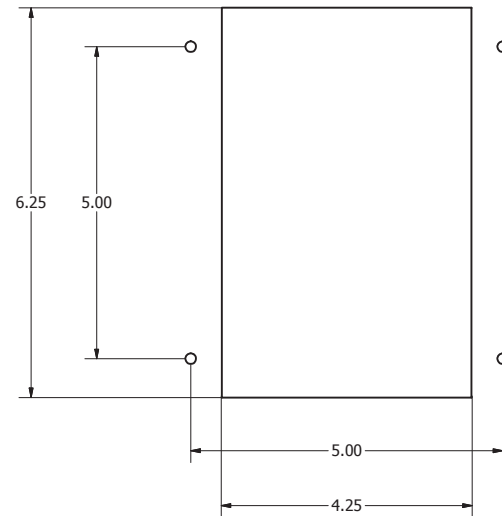


Camera Specifications - Panasonic WV-SF135

Camera	1/3 type MOS image Sensor
Image Sensor	Approx. 1.3 megapixels
Effective Pixels	Progressive
Scanning Mode	4.8 mm (H) x 3.6 mm (V) (3/16" (H) x 5/32" (V))
Scanning Area	AWC (2,000 ~ 10,000 K), ATW1 (2,700 ~ 6,000 K), ATW2 (2,000 ~ 6,000 K)
White Balance	Indoor scene (50 Hz / 60 Hz) / ELC
Light Control Mode	1/30, 3/100, 3/120, 2/100, 2/120, 1/100, 1/120, 1/250, 1/500, 1/1,000, 1/2,000, 1/4,000, 1/8,000 (WV-SF132), 1/10,000 (WV-SF135)
ELC (Maximum exposure time)	OFF / AUTO
Day & Night (Electrical)	High / Low
Digital Noise Reduction	ON / OFF (with the XML notification setting)
Face Detection	ON / OFF
Adaptive Black Stretch	ON (LOW, MID, HIGH) / OFF
AGC	Off(1/30s), Max. 2/30 s, Max. 4/30s, Max. 6/30s, Max. 10/30s, Max. 16/30s
Auto Slow Shutter	ON / OFF, 4 areas available
Video Motion Detection	ON / OFF (up to 2 zones available)
Privacy Zone	
Lens	
Focal Length	1.95 mm
Zoom Ratio	1x Extra Zoom:2x (under VGA resolution)
Maximum Aperture Ratio	1 : 2.2
Angular Field of View	Horizontal: 104 °, Vertical: 85 °



Shade Base Template




Base Bottom

Wireless Router - TrendNet TEW-654TR

Hardware	
Interface	• 1 x 10/100Mbps Auto-MDIX port
Standards	• IEEE 802.11b, IEEE 802.11g, IEEE 802.11n (draft 2.0) • IEEE 802.3/IEEE 802.3u Fast Ethernet
Supported Protocol	• TCP/IP: NAT, PPPoE/PPPoL2TP, HTTP, DHCP Server/Client
LED Indicator	• Power • LAN Link ACT • WLAN ACT
Power Consumption	• 2.5 watts (max)
Power Adapter	• 5V, 1.2A or power via the included USB cable from pc
Dimensions (LxWxH)	• 60 x 80 x 18.5mm (2.4 x 3.2 x 0.7in)
Weight	• 50g (1.8oz)
Temperature	• Operating: 0° ~ 40° C (32° ~ 104° F); Storage: -10° ~ 70° C (14° ~ 158° F)
Humidity	• 10% ~ 90% max (non-condensing)
Certifications	• CE, FCC
Wireless	
Module Technique	• DBPSK/QPSK/CCK/OFDM (BPSK/QPSK/16-QAM/64-QAM)
Antenna	• 2 on board antennas
Frequency	• 2.412 ~ 2.484 GHz
Data Rate (auto fallback)	• 802.11b: 11Mbps, 5.5Mbps, 2Mbps, and 1Mbps • 802.11g: 54Mbps, 48Mbps, 36Mbps, 24Mbps, 18Mbps, 12Mbps, 9Mbps and 6Mbps • 802.11n: up to 300Mbps
Output Power	• 802.11b: 14.2dBm (typical) • 802.11g: 14.2dBm (typical) • 802.11n: 12.2dBm (typical) • 802.11b: -85dBm (typical) • 802.11g: -85dBm (typical) • 802.11n: -59dBm (typical)
Receiving Sensitivity	• 802.11b: -85dBm (typical) • 802.11g: -85dBm (typical) • 802.11n: -59dBm (typical)
Security	• 64/128-bit WEP (Hex & ASCII), WPA/WPA2-Radius (802.1x), WPA-PSK/WPA2-PSK MAC address, IP and URL filtering
Channels	• 1-11 (FCC), 1-13 (ETSI)

*Maximum wireless signal rates are referenced from IEEE 802.11 theoretical specifications. Actual data throughput and coverage will vary depending on interference, network traffic, building materials and other conditions.

Part Number	Weight	
LV104-UP1-42F-W1	5.28 lbs (2.39 kg)	
Description	LV104 Enc, Panasonic WV-SF135 Cam & WIFI w/42" Pole (1"Round)	http://www.dsmlc.com © 2013 Digital Site Management, L.L.C.