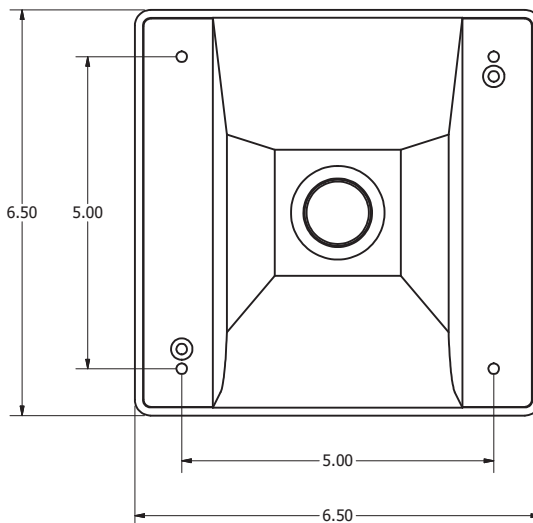
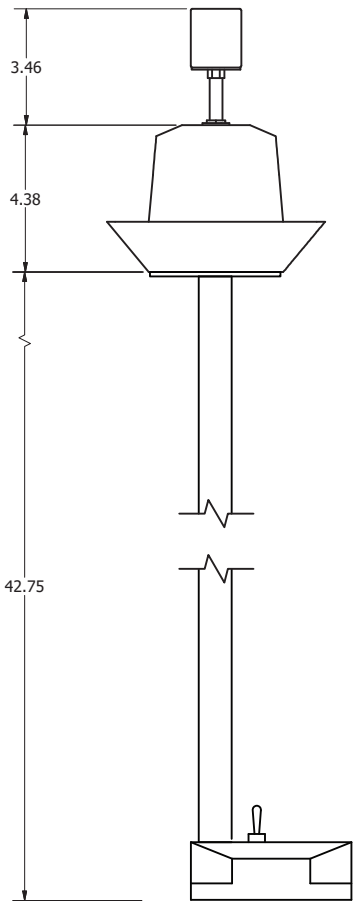


LV104 Enclosure - Top View

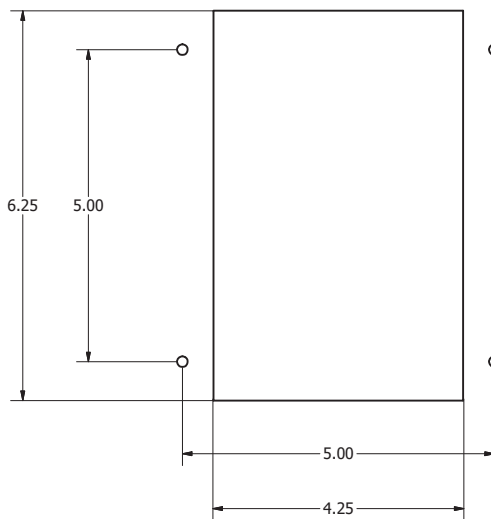


Camera Specifications - Axis M3014

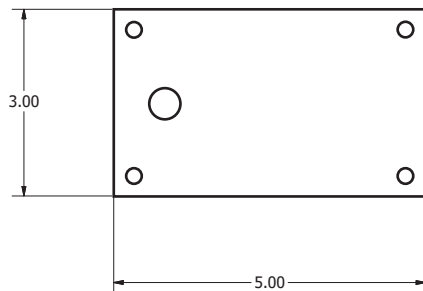
Camera	
Image sensor	1/4" Progressive scan RGB CMOS 1 megapixel
Lens	2.8 mm, F2.0, fixed iris Horizontal angle of view: 80°
Light sensitivity	1-100000 lux, F2.0
Shutter time	1/25000 s to 1/6 s
Video	
Video compression	H.264 (MPEG-4 Part 10/AVC), Motion JPEG
Resolutions	1280x800 to 160x90
Frame rate	25 fps with power line frequency 50 Hz 30 fps with power line frequency 60 Hz
Video streaming	Multiple, individually configurable streams in H.264 and Motion JPEG Controllable frame rate and bandwidth, VBR/CBR H.264
Pan/Tilt/Zoom	Digital PTZ, Preset positions, Guard tour
Image settings	Compression, Color, Brightness, Sharpness, Contrast, White balance, Exposure control, Exposure zones, Backlight compensation, Fine tuning of behavior at low light, Rotation, Text and image overlay, Privacy mask, Mirroring of images




Shade Base Template



Base Bottom



Part Number LV104-M3014-42F	Weight 5.10 lbs (2.32 kg)	 http://www.dsmlc.com © 2011 Digital Site Management, L.L.C.
Description LV104 Encl, Axis M3014 Cam w/ 42" Round Pole		